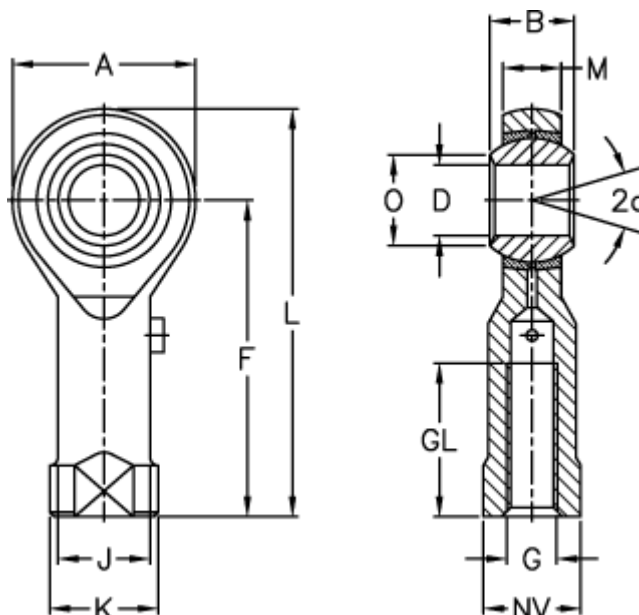


Article number: 54301330

Description: LDK Rod end PHS 30

Measures



A	= 70	J	= 40.0
a (degrees)	= 17	K	= 50
B	= 37	L	= 145
D	= 30	M	= 25.00
Dynamic load C (kN)	= 54.3	NV	= 41
F	= 110	O	= 34.80
g	= M30x2	Static load C0 (kN)	= 88.0
GL	= 56	Weight (g)	= 1130.0